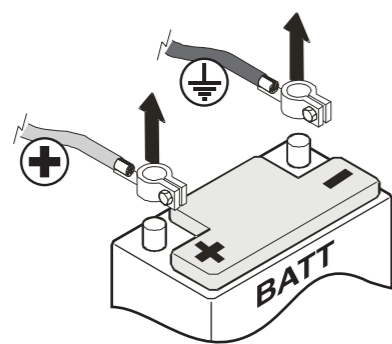


IMPORTANT: CAREFULLY READ THIS MANUAL TO FAMILIARIZE YOURSELF WITH ALL THE CONTROLS AND FUNCTIONS OF THIS PRODUCT. FOLLOW ALL NOTICES TO ENSURE THE SAFETY OF THOSE INSTALLING AND USING THE PRODUCT.

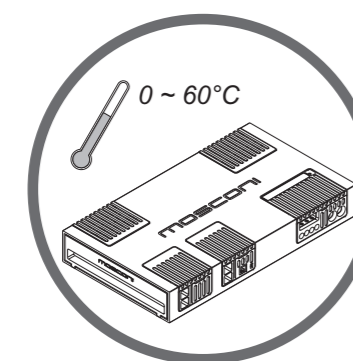
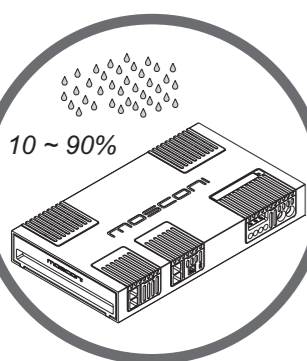
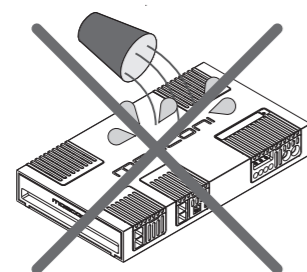
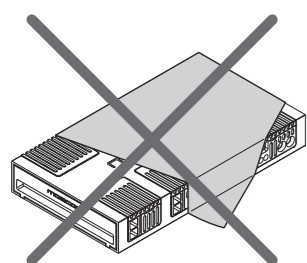


12V



WARNING!
USE ONLY IN VEHICLES WITH A 12 VOLT
NEGATIVE GROUND

WARNING!
DISCONNECT THE BATTERY LEADS
BEFORE INSTALLATION, MAINTENANCE
OR REMOVAL.



WARNING! CAUTION:

IN CASE OF TROUBLE IMMEDIATELY DISCONTINUE USE. Failure to comply may cause injury or damage the product. For repair please contact an authorized MOSCONI dealer.

DO NOT DISASSEMBLE OR MODIFY THE PRODUCT: This action may result in accidents, fire or electric shock. Any alteration or modification to the product immediately voids any expressed or implied warranty.

THE INSTALLATION AND CONNECTION OF THE PRODUCT SHOULD BE PERFORMED BY QUALIFIED PERSONNEL. The installation and connection of the product require specific technical background and experience. For safety reasons, always contact an authorized dealer to install the product in a correct way.

DO NOT INSTALL IN AREAS PARTICULARLY HUMID OR DUSTY. Avoid installing the product in areas excessively humid or dusty. Presence of humidity or dust inside the product can cause malfunction.

DO NOT INSTALL NEXT TO HEAT SENSITIVE SURFACES. The amplifier may reach temperatures in excess of 80°C (176°F) and contact with heat sensitive surfaces may cause a fire hazard and damage to the surface.

WHILE DRILLING HOLES, DO NOT DAMAGE TUBING AND CABLES. While drilling holes in your vehicle during installation, pay close attention to avoid damaging, blocking or contact with: tubing, the fuel lines, the fuel tank and electrical cables. Failure to follow these precautions will pose a fire hazard and damages.

DO NOT OBSTRUCT VENTS OR HEAT SINKING PANELS. Blocking vents or heat sinking panels may cause increased temperatures inside the amplifier. This may cause a fire hazard.

USE THIS PRODUCT EXCLUSIVELY IN VEHICLES WITH 12V POWER. Using the product with electrical power other than 12V may cause fires, electric shock or other accidents.

DISCONNECT THE NEGATIVE (GROUND) BATTERY LEAD BEFORE CONNECTING THE PRODUCT. Failure to do so may cause electric shock or other damage and injury due to short circuit.

ENSURE PROPER CONNECTIONS. To avoid fire hazard and damage to the product, use cables of proper gauge and pay close attention to the polarity of the connections.

AVOID TANGLING THE CABLES TO VEHICLE PARTS. Make proper connections by following the instructions so that the cables do not interfere with proper vehicle operation. Cables that tangle with steering components, gear lever, brake pedals, etc may be dangerous.

LAY OUT THE CABLES TO ENSURE THAT THEY ARE NOT BENT OR COMPRESSED BY SHARP METAL EDGES. To avoid damaging or bending the cables, lay out the cables far from moving parts (such as the seat rails) and from sharp or pointy vehicle parts. If the cables are to pass through a hole in a metal sheet, use a rubber ring to ensure that the cable insulation won't be cut by any sharp edge.

TO ESTABLISH A GROUND CONNECTION DO NOT USE BOLTS THAT BELONG TO THE STEERING OR BRAKING SYSTEM. NEVER use bolts from the steering or braking system (or any other safety system) or the fuel tank to establish a ground connection. Using any of these parts may impair your ability to control the vehicle and cause accidents, fire or other damage.

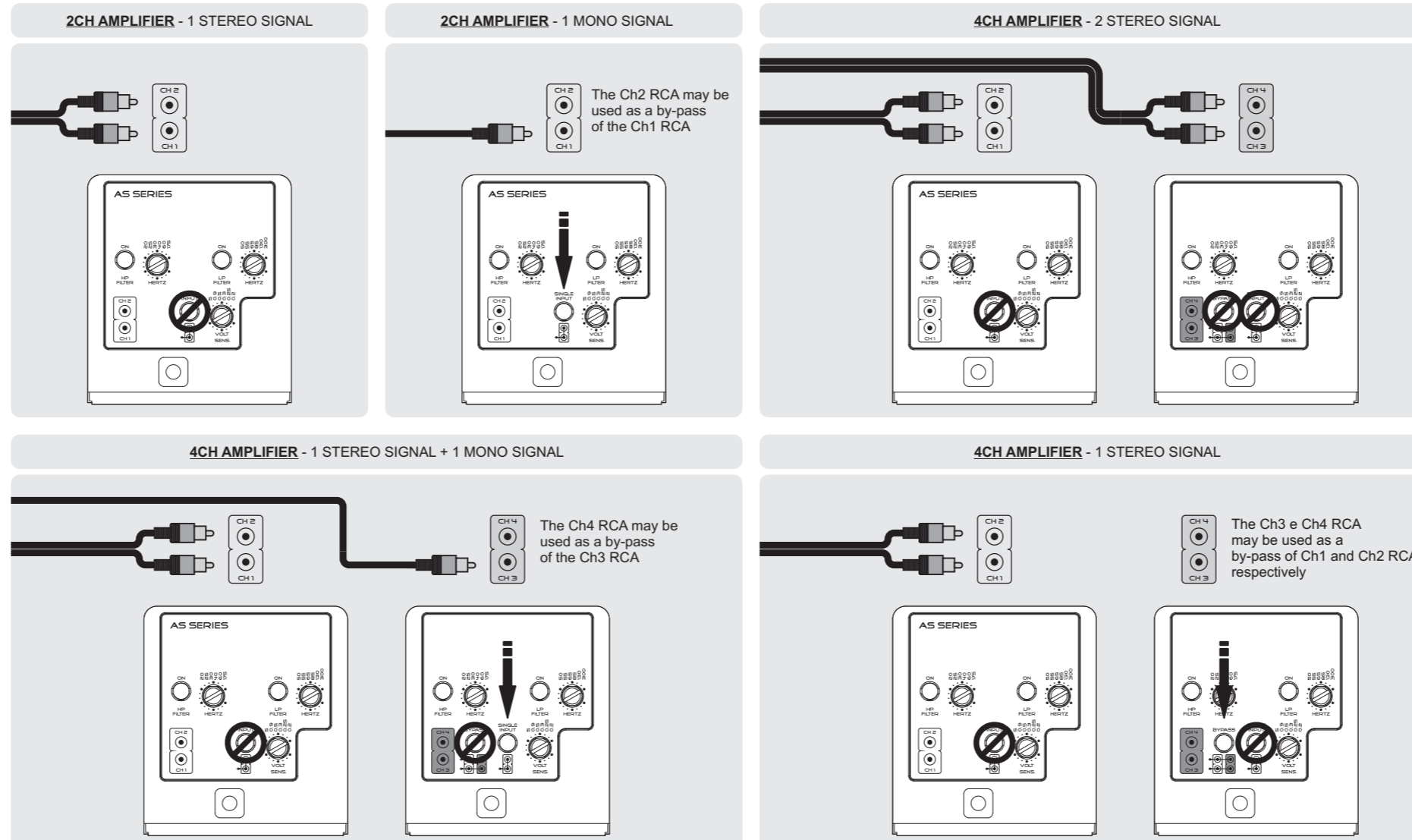
USE FUSES WITH ADEQUATE AMP RATING. Otherwise there may be fires or electric shock.

USE THE CORRECT ACCESSORY PARTS AND FOLLOW THE INSTALLATION INSTRUCTIONS. Be sure to use only specified accessory parts. Using other components may damage the product or result in improper installation. Components may not be connected securely and cause malfunction or danger.

DO NOT OPERATE THE PRODUCT IN WAYS THAT MAY DISTRACT YOUR ATTENTION FROM DRIVING. Any operation that requires continued attention must be done when the vehicle is at full stop. Always stop the vehicle in a safe area when performing such operations. Failure to do so may cause accidents.

MAINTAIN THE VOLUME AT LEVELS THAT ALLOW EXTERNAL NOISES TO BE AUDIBLE WHILE DRIVING. Excessive volume levels, capable of blocking the sound of emergency vehicles, rail crossings, etc, may be dangerous and cause accidents. Furthermore, listening to audio at high volume inside a vehicle may cause damage to your hearing.

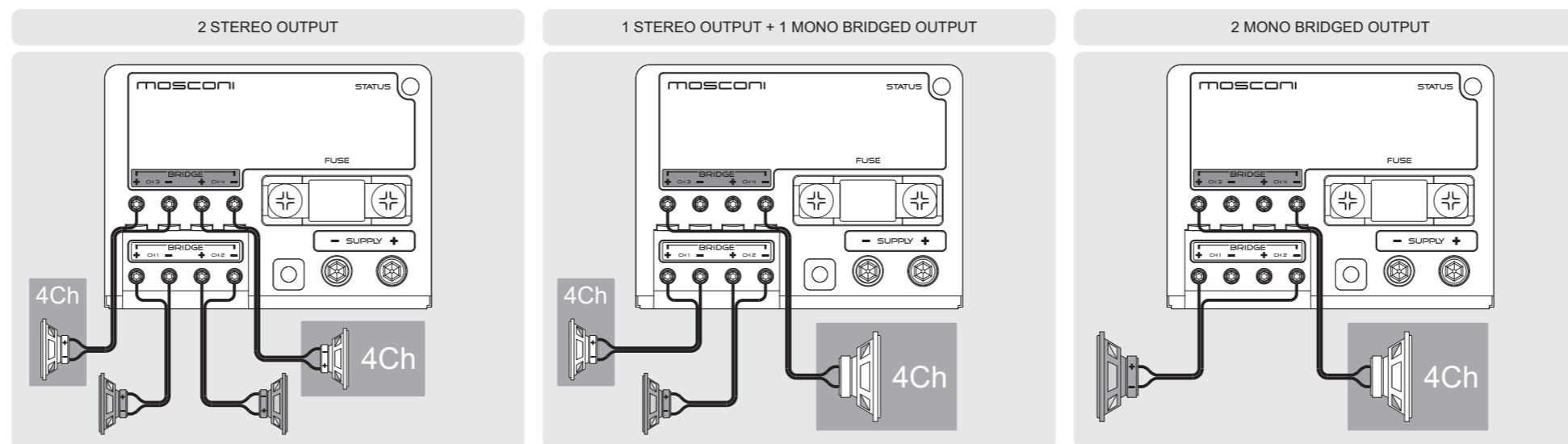
CONNECTING INPUT



USE THIS SWITCH for this configuration

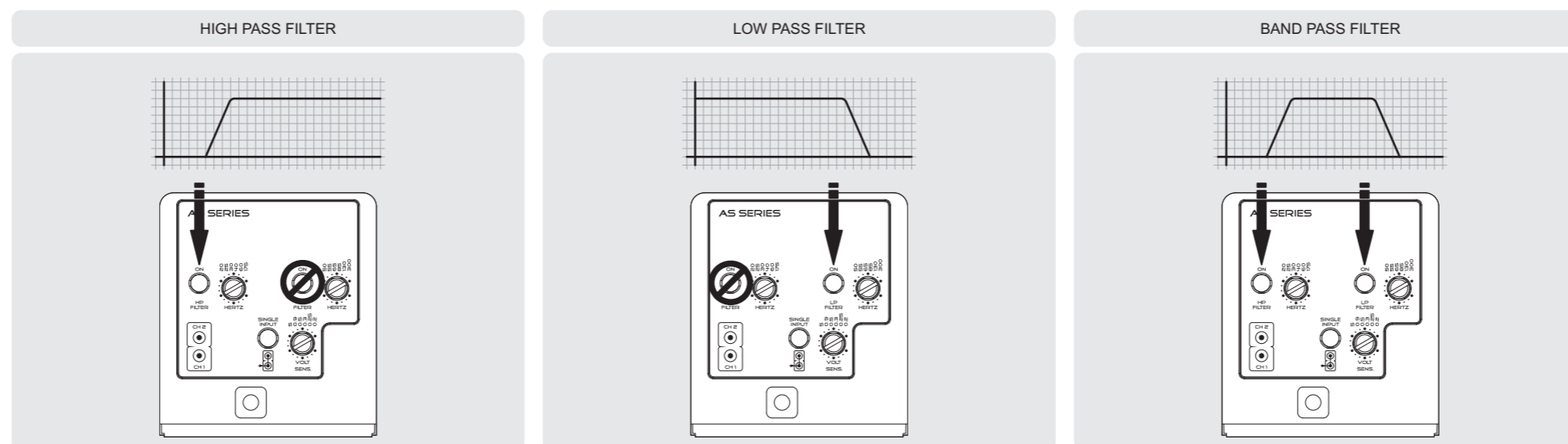
DO NOT USE THIS SWITCH for this configuration

CONNECTING SPEAKERS

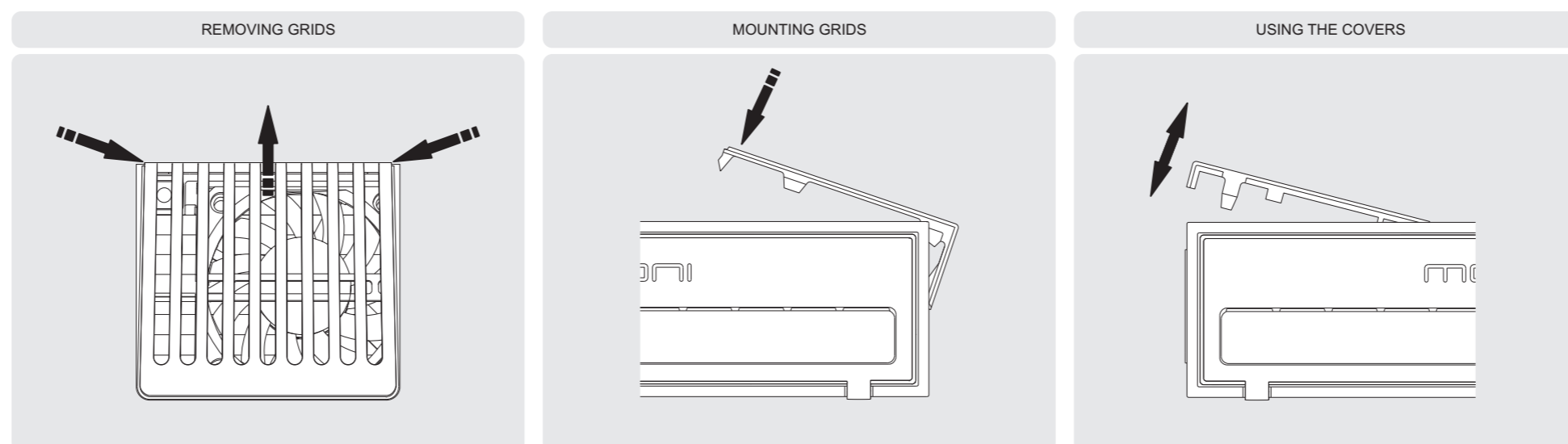


MINIMUM CAPABILITY IMPEDANCE: 10OHM IN STEREO MODE; 20HM IN BRIDGE MODE

FILTER SELECTION



GRIDS AND COVERS



WARRANTY

WARRANTY CONDITIONS
COMPLETE ALL SECTIONS AND RETURN THIS DOCUMENT ALONG WITH A) THE PRODUCT TO REPAIR AND B) THE ORIGINAL DATED PURCHASE RECEIPT

Client	Authorized Dealer	Product
Name		Model
Address		Serial Number
e-mail & Phone		

MOS extends a warranty to MOSCONI products for 24 months from the date of the original purchase as declared in the appropriate box and in the original purchase receipt. Enclose the dated purchase receipt when sending the product for return or repair to the authorized dealer. The serial number of this certificate must correspond to the one stamped on the returned product. MOS is not responsible for damages or injury caused by improper installation or operation of the product.

TECHNICAL CHARACTERISTICS

	AS 100.2	AS 200.2	AS 300.2	AS 100.4	AS 200.4
Stereo power RMS @4ohm	W 2 x 100	2 x 200	2 x 300	4 x 100	4 x 200
Stereo power RMS @2ohm	W 2 x 160	2 x 320	2 x 550	4 x 155	4 x 320
Bridge power RMS @4ohm	W 1 x 320	1 x 640	1 x 1100	2 x 310	2 x 640
Bridge power RMS @2ohm	W 1 x 500	1 x 1000	1 x 1800	2 x 480	2 x 950
Input sensitivity range	V 0.2 + 5	0.2 + 5	0.2 + 5	0.2 + 5	0.2 + 5
High pass filter range (switchable)	Hz 20 + 175	20 + 175	20 + 175	20 + 175	20 + 175
High pass filter slope	dB/Oct 12	12	12	12	12
Low pass filter range (switchable)	Hz 50 + 300	50 + 300	50 + 300	50 + 300	50 + 300
Low pass filter slope	dB/Oct 12	12	12	12	12
Band pass filter	Available	Available	Available	Available	Available
Internal fuse	A 40	80	150	80	150
Dimensions	mm 215 x 200 x 50	350 x 200 x 50	590 x 200 x 50	350 x 200 x 50	590 x 200 x 50

MINIMUM CAPABILITY IMPEDANCE: 10OHM IN STEREO MODE; 20HM IN BRIDGE MODE

MOSCONI reserves the right to modify or improve the products described here without notice. The availability of the displayed products may vary. Products described in this MANUAL are a portion of all MOSCONI products. All trademarks mentioned are used for descriptive purposes and all rights are reserved by their respective owners. The total or partial reproduction of this MANUAL is prohibited.

FASTENING HOLES
Use the screws provided in the package or screws of 4mm diameter. Tighten bolts to a maximum of 5 Nm torque.

FASTENING HOLES
Use the screws provided in the package or screws of 4mm diameter. Tighten bolts to a maximum of 5 Nm torque.

INDICATION LIGHT

RED: the amplifier is in operation

Possible causes for lack of sound:
1) The loudspeaker system is not connected properly or is damaged
2) The signal cables from the audio source are not properly connected or damaged
3) The signal from the audio source is absent or inadequate

Remedy:
1) Verify/restore the connection and/or replace the damaged loudspeakers
2) Verify/restore the connection from the audio source
3) Properly adjust the audio source following the manufacturer's recommendations

ORANGE: the amplifier is in protected mode. After 3 seconds the amplifier attempts to resume automatically

Possible causes:
1) The amplifier is powering up
2) The temperature has reached the safety threshold
3) Current overload in the loudspeaker circuit

Remedy:
1) Wait 3 seconds, the amplifier will switch to normal operation
2) Wait for the temperature to decrease
3) Remove the cause of the overload

YELLOW: the amplifier is powered on but is not functioning. Cycle the power to verify proper operation.

Possible causes:
1) The power supply is inadequate
2) The fuse has blown
3) The power voltage is below 7 VDC
4) The amplifier is malfunctioning

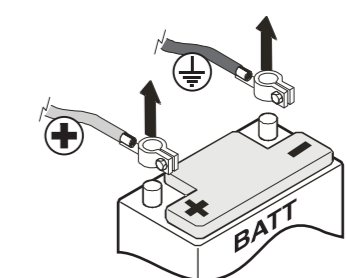
Remedy:
1) Verify and restore the connections and the contacts of the power circuit
2) Replace the fuse
3) Recharge or replace the vehicle's battery
4) Contact an authorized reseller to initiate the procedure for Technical Assistance

INTERNAL FUSE Before replacing the fuse, power off the audio source and then disconnect the battery. Remove the blown fuse and replace it with the same model and rating (same maximum amp)

AS 100.2 40A
AS 200.2 80A
AS 300.2 150A
AS 100.4 80A
AS 200.4 150A

ATTENTION! Use power cables with a gauge that is appropriate to the current load and to the length of the cable. The table in this manual indicates the minimum gauge for safe use. Whenever possible, use the largest gauge available.

CURRENT (A)	MIN. SECTION (AWG/mm ²)							
	0-20	20-35	35-50	50-65	65-85	85-105	105-125	125-150
	14/2	12/4	10/6	10/6	8/9	8/9	8/9	8/9
	12/4	10/6	8/9	8/9	6/14	6/14	6/14	4/21
	10/6	8/9	8/9	6/14	6/14	4/21	4/21	4/21
	8/9	8/9	6/14	4/21	4/21	4/21	4/21	2/34
	6/14	6/14	4/21	4/21	2/34	2/34	2/34	0/54
	6/14	6/14	4/21	2/34	2/34	2/34	2/34	0/54
	4/21	4/21	2/34	2/34	0/54	0/54	0/54	0/54
	2/34	2/34	2/34	2/34	0/54	0/54	0/54	
	0-1.2	1.2-2.1	2.1-3.1	3.1-4.0	4.0-4.9	4.9-5.8	5.8-6.7	6.7-8.5
	LENGTH (m.)							



LOW PASS FILTER
Activate
the low pass filter by pushing the button
Control
the cut-off frequency of the low-pass filter by using the potentiometer (knob)

HIGH PASS FILTER
Activate
the high pass filter by pushing the button
Control
the cut-off frequency of the high-pass filter by using the potentiometer (knob)

BAND PASS FILTER
Activate
both filters to get a band pass filter
Control
the cut-off frequencies by using both potentiometers (knobs)

SINGLE INPUT
Activate
this button to have the same channel ch1 signal in channel ch2. The RCA ch2 may be used as a channel ch1 bypass.
NOTE: use this function only if there is a single input connected to the amplifier

FASTENING HOLES
Use the screws provided in the package or screws of 4mm diameter. Tighten bolts to a maximum of 5 Nm torque.

BYPASS
Activate
to repeat ch1 and ch2 signals to the ch3 and ch4 channels respectively. The RCA of ch3 and ch4 can be used as bypass of RCA of ch1 and ch2 respectively.

SINGLE INPUT
Activate
this button to have the same channel ch3 signal in channel ch4. The RCA ch4 may be used as a channel ch3 bypass.
NOTE: use this function only if there is a single input connected to the amplifier

REMOTE CONTROL (optional)
Connect
the remote control (optional) terminal to this connector

REMOTE POWER CONTROL
Connect
the remote power terminal (+12V) of the source to the FASTON connector of the amplifier using a properly terminated cable.

RCA SIGNAL INPUT
Channel 1
Channel 2
Channel 3
Channel 4

GAIN (SENS.)
Adjust
the sensitivity of the amplifier to the input signal to adapt to the level of the audio source. Consult the manual of the audio source.

SPEAKER CONNECTION
Connect
the speakers to the Ch1 and Ch2 terminals to reproduce the audio input in the RCA ch1 and ch2 respectively. Connect the speakers to the BRIDGE terminals to reproduce a mixed signal from the RCA ch1 and ch2

SPEAKER CONNECTION
Connect
the speakers to the Ch3 and Ch4 terminals to reproduce the audio input in the RCA ch3 and ch4 respectively. Connect the speakers to the BRIDGE terminals to reproduce a mixed signal from the RCA ch3 and ch4

FASTENING HOLES
Use the screws provided in the package or screws of 4mm diameter. Tighten bolts to a maximum of 5 Nm torque.



NEGATIVE POWER CONNECTION
Securely connect
the clamp to a metallic part of the frame or chassis of the vehicle. Strip the paint and debris, and use the shortest possible cable with the proper terminal.

POSITIVE POWER CONNECTION
Securely Connect
the clamp to the positive lead of the battery. Use the shortest possible cable with the proper terminal. We recommend using an external fuse as close as possible to the battery.

